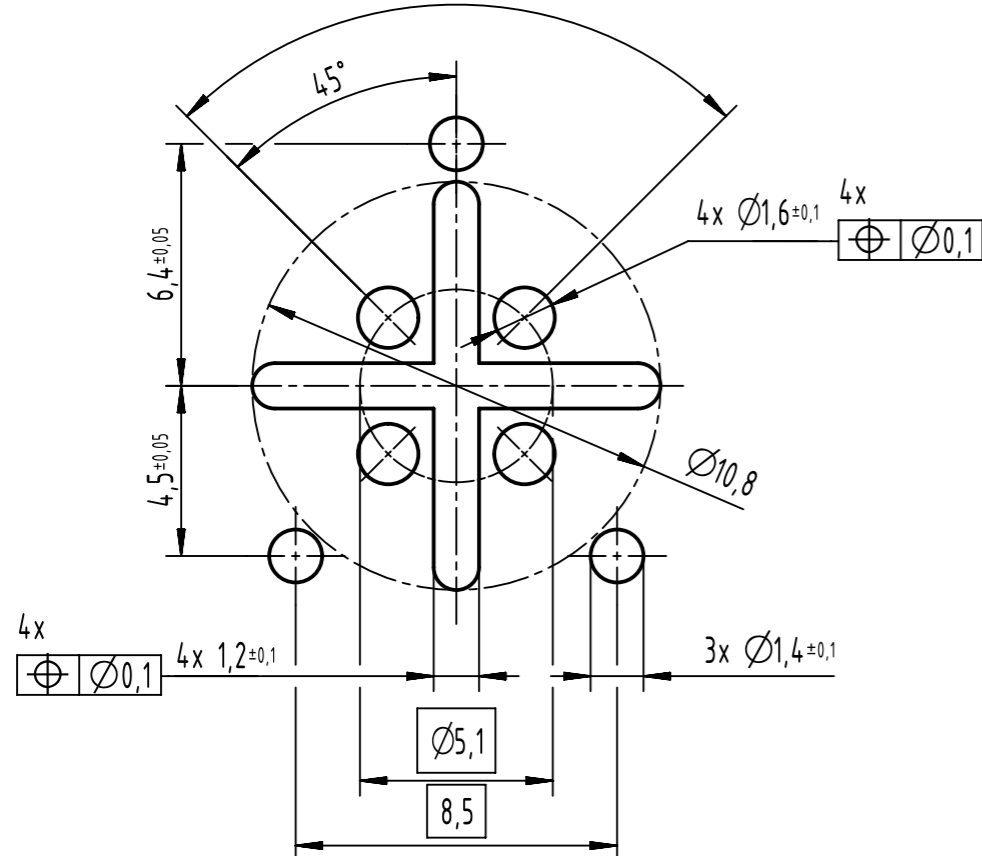
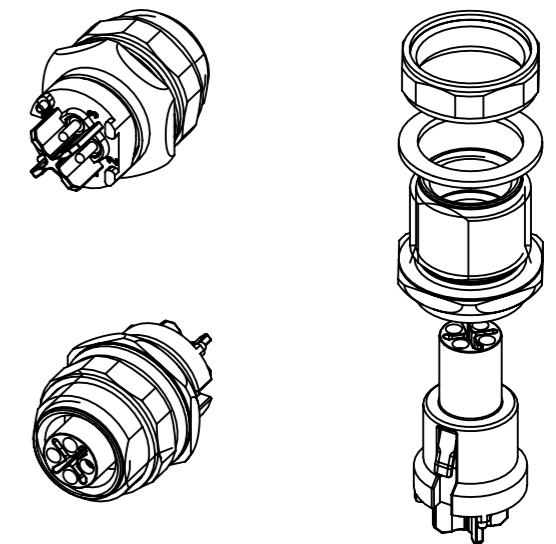
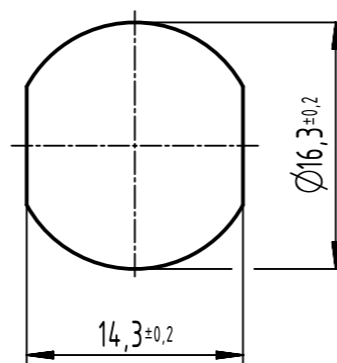


recommended PCB-layout
(5:1)
4x 90°

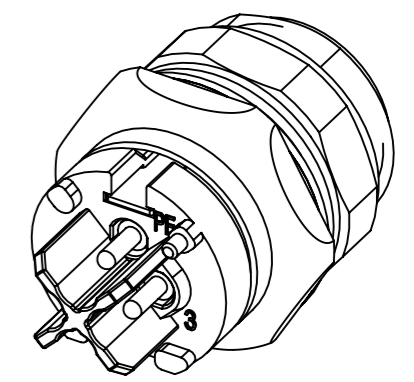
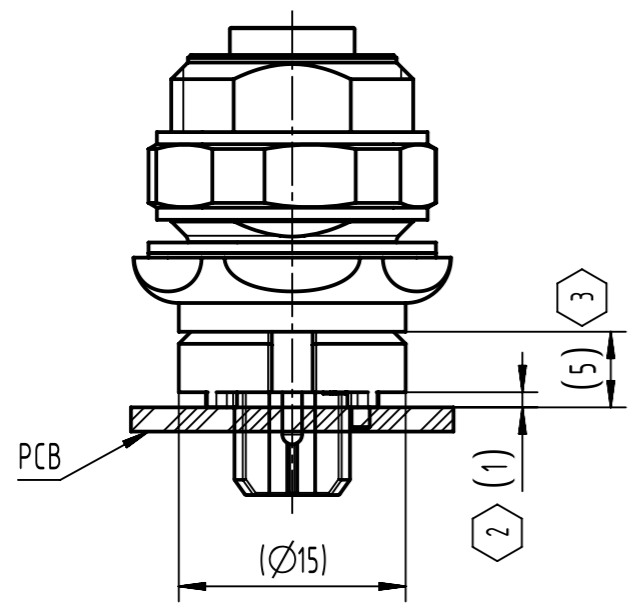
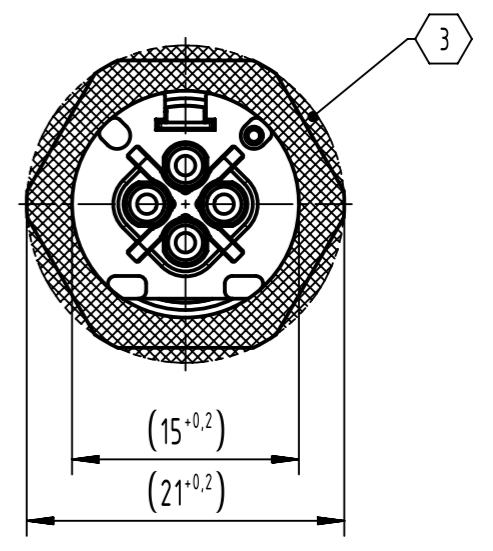
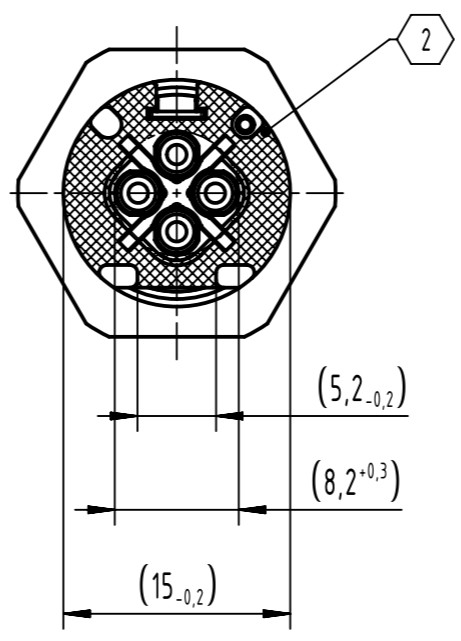
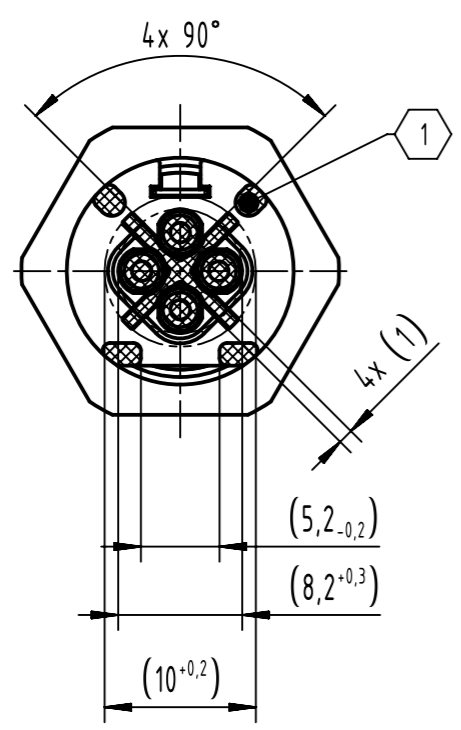


panel cut out



- recommended PCB: 1.6mm
- recommended torque for the lock nut: 2.0Nm
- 1 pcs. single package

	All Dimensions in mm Original Size DIN A3	Scale 2:1	Free size tol.	Ref.
	All rights reserved Department EL PD	Created by 402918	Inspected by MICLAUS	Standardisation ROEBEN
HARTING D-32339 Espelkamp	Title M12-PCB-THR-2PC-4P-SCOD-F-STR-SHLD			Date 2021-12-06
	Type TB	Number 21033092430	State Final Release	Doc-Key / ECM-Nr. 100800243/UGD/001/D 50000207442
			Rev. D	Page 1/2



- 1 the area where no component on the PCB is allowed
- 2 the area where components of max. 0.9mm height are allowed on the PCB
- 3 starting from $\varnothing 15^{+0,2}$, the maximum height of the components on the PCB is 6,7mm

	All Dimensions in mm Original Size DIN A3	Scale 2:1	Free size tol.		Ref.
					Sub.
	All rights reserved Department EL PD	Created by 402918	Inspected by MICLAUS	Standardisation ROEBEN	Date 2021-12-06
	Title M12-PCB-THR-2PC-4P-SCOD-F-STR-SHLD				State Final Release
HARTING D-32339 Espelkamp		Type TB	Number 21033092430		Doc-Key / ECM-Nr. 100800243/UGD/001/D 50000207442 Rev. D Page 2/2